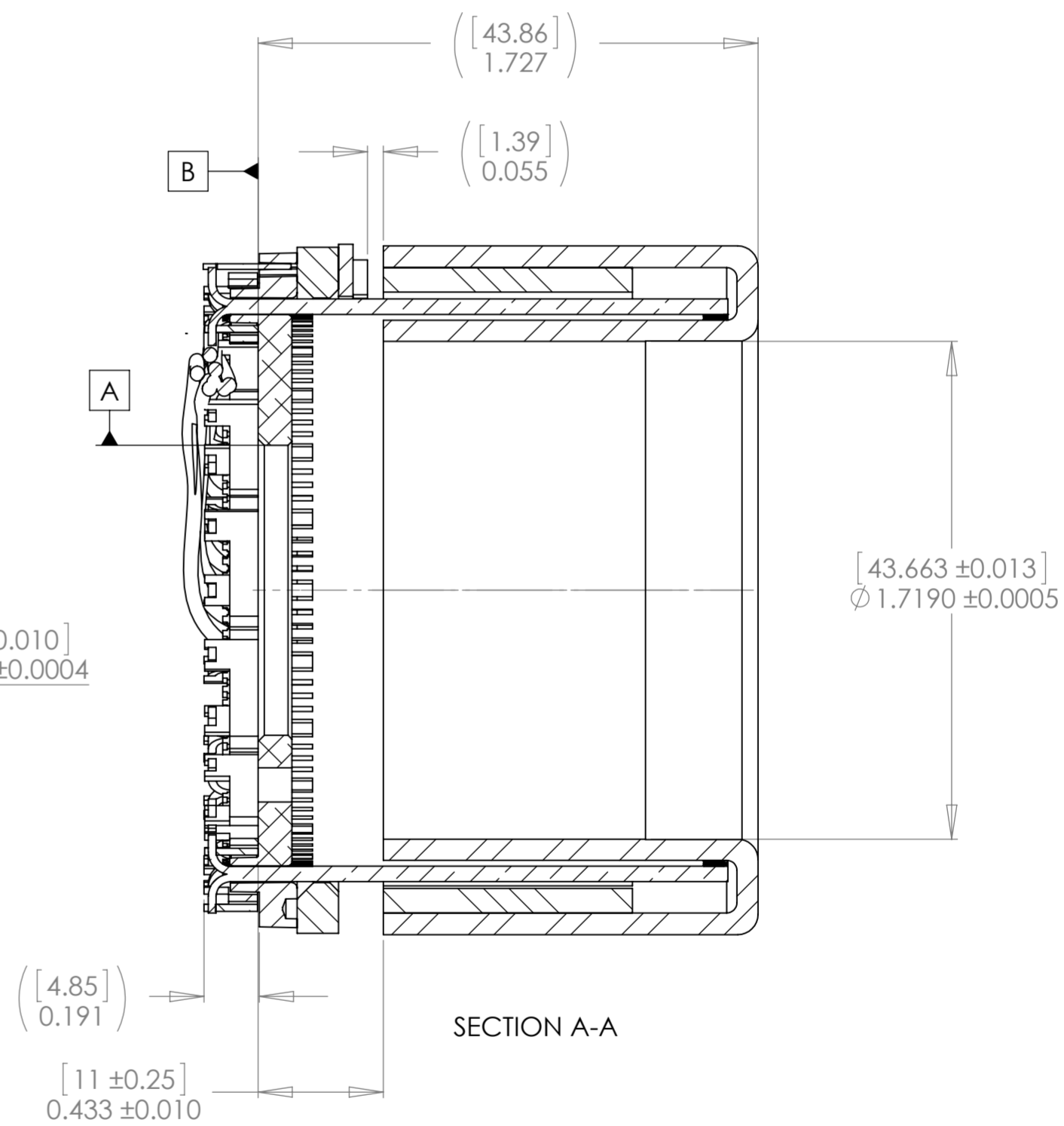
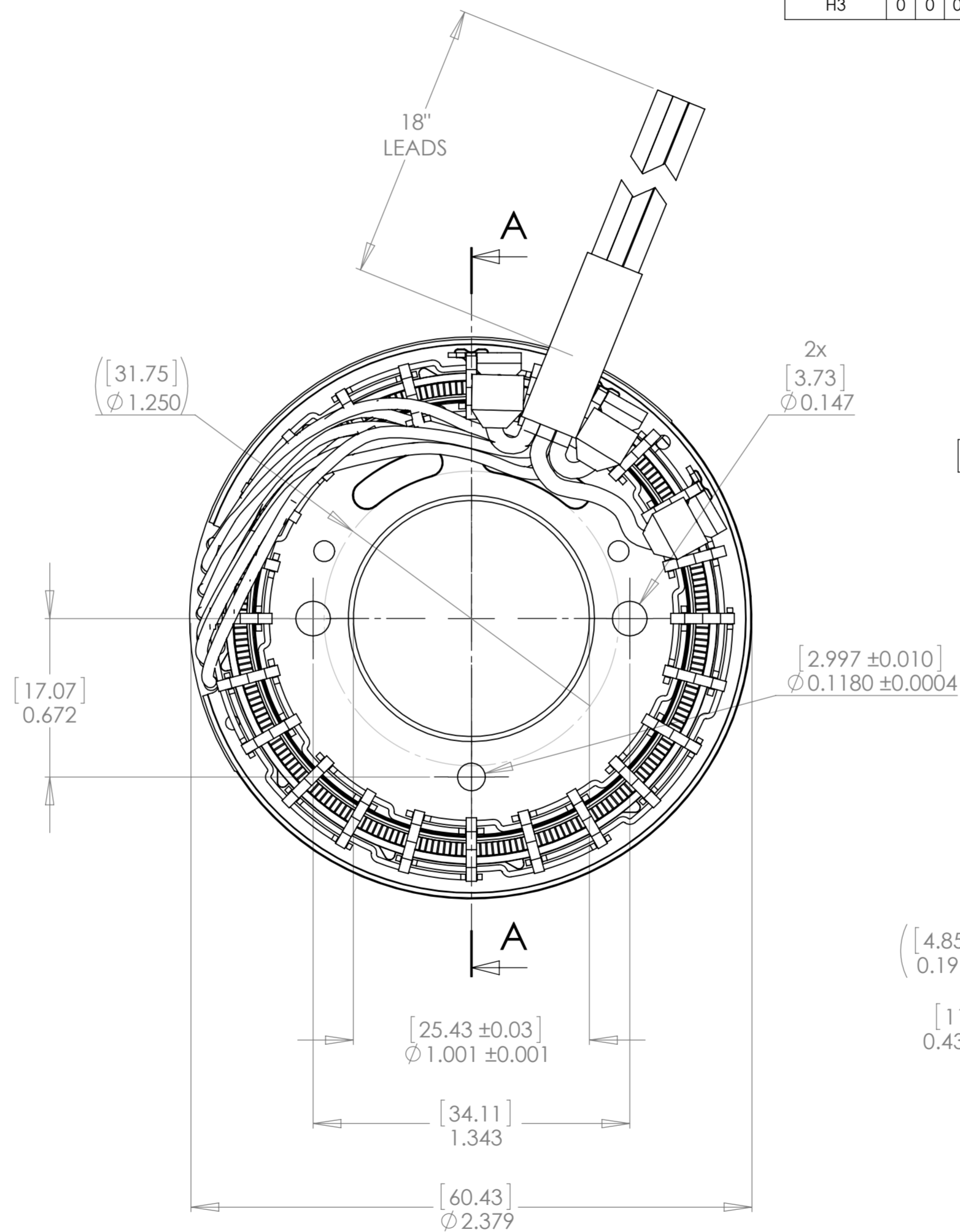
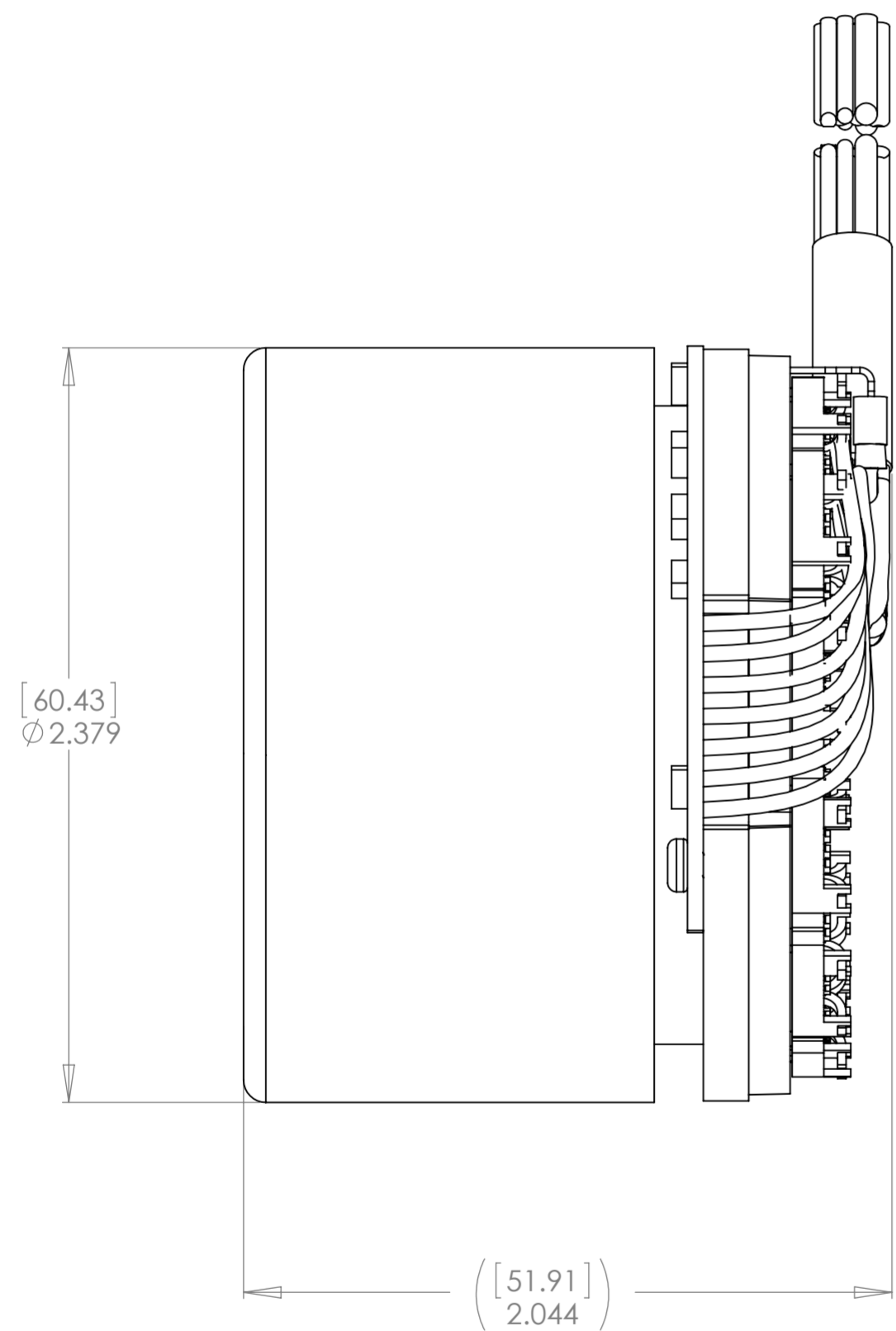


REVISIONS			
REV	STATUS	BY	DATE
-	REF. 360732 REVA	DH	08/26/08
A	ECO #0157	DH	05/14

MOTOR PHASE	EXCITATION STEP					
	1	2	3	4	5	6
A	+	-	-	+	+	
B		+	+	-	-	
C	-	-	+	+	-	
SENSOR OUTPUT						
H1	1	1	0	0	0	1
H2	0	1	1	1	0	0
H3	0	0	0	1	1	1

PHASE	WIRE COLOR	GAUGE
A	GRN	18
B	BLK	18
C	RED	18

PHASE	WIRE COLOR	GAUGE
+V	YELLOW	24
(-)	GREY	24
H1	BROWN	24
H2	ORANGE	24
H3	BLUE	24
O	VIOLET	24
I	VIOLET	24



ITEM #	PART #	REV	DESCRIPTION	QTY.
1	2-2320-S001	A	STATOR PART SET ASSEMBLY	1
2	2-2320-R003	A	ROTOR PART SET ASSEMBLY	1

UNLESS OTHERWISE SPECIFIED: DIMENSIONS ARE IN INCHES TOLERANCES: LINEAR: .X ± .020 .XX ± .010 .XXX ± .005 ANGULAR: ± 0.5°			FINISH: N/A	DEBUR AND BREAK SHARP EDGES	DO NOT SCALE DRAWING	REVISION A
DRAWN: DH				SIGNATURE:	DATE: 05/30/14	TITLE: ThinGap LLC TG2320 PART SET TOP ASSEMBLY
CHK'D:						
APP'VD:						
MFG:						
Q.A.				MATERIAL: N/A	DWG NO. 2-2320-P001	A2
SCALE:						SHEET 1 OF 1

PROPRIETARY NOTICE

The information and design disclosed herein are the property of ThinGap Corporation. Neither this document nor the information disclosed herein shall be reproduced or transferred to other documents or used or disclosed to others for manufacturing or any other purpose except as specifically authorized in writing. ThinGap Corporation expressly reserves all patent, proprietary, design, manufacturing, reproduction, and use and sales rights thereto, any article disclosed herein.