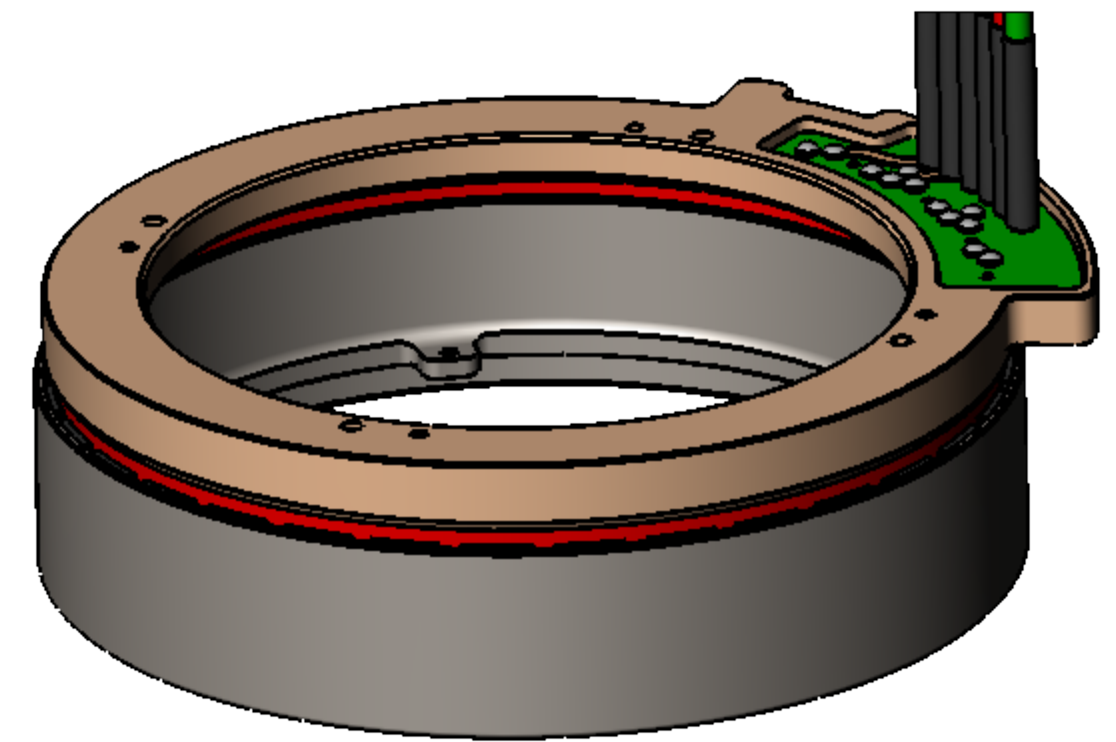
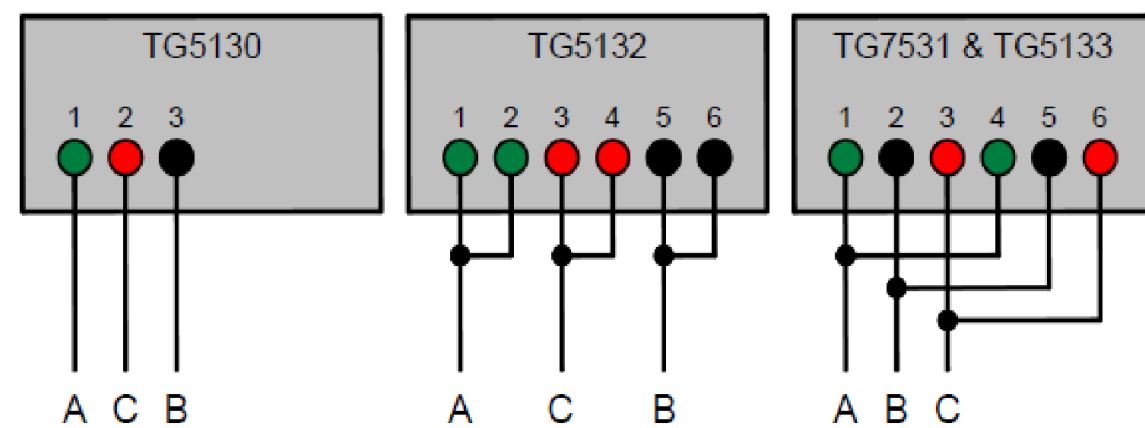


SECTION A-A



POWER CONNECTIONS 1



NOTES:

- 1 POWER CONNECTIONS SHALL BE DONE IN ACCORDANCE TO THE DIAGRAMS SHOWN ON THIS PRINT.
- 2 PHASE LEAD WIRES EXIT STRAIGHT FROM THE PCB. FOR OPTIONAL RIGHT ANGLE EXIT, A MINIMUM CLEARANCE IS REQUIRED TO ACCOUNT FOR WIRE BEND RADIUS/STRAIN RELIEF.

| TG5130 Phase Lead Identification | | | TG5132 Phase Lead Identification | | | TG5131 & TG5133 Phase Lead Identification | | | Product Identification TG513X PART SET | |
|----------------------------------|-------|-------------|----------------------------------|-------|-------------|---|-------|-------------|--|--------------------------|
| Lead # | Color | Description | Lead # | Color | Description | Lead # | Color | Description | Item # | Description |
| 1 | GREEN | PHASE A | 1 & 2 | GREEN | PHASE A | 1 & 4 | GREEN | PHASE A | TG5130-P010 | PART SET, WYE SERIES |
| 2 | RED | PHASE C | 3 & 4 | RED | PHASE C | 2 & 5 | BLACK | PHASE B | TG5131-P010 | PART SET, DELTA SERIES |
| 3 | BLACK | PHASE B | 5 & 6 | BLACK | PHASE B | 3 & 6 | RED | PHASE C | TG5132-P010 | PART SET, WYE PARALLEL |
| | | | | | | | | | TG5133-P010 | PART SET, DELTA PARALLEL |

DRAWING PROJECTION



| | NAME | DATE |
|----------|------|-----------|
| DRAWN | CS | 20 MAR 16 |
| CHECKED | DH | 20 MAR 16 |
| APPROVAL | EF | 25 MAR 16 |

UNLESS OTHERWISE SPECIFIED, ALL DIMENSIONS ARE IN INCHES

TOLERANCES:
LINEAR: .X ±0.020 ANGLES: ±0.1°
.XX ±0.010
.XXX ±0.005



www.thingap.com

TOP ASSEMBLY, PART SET

ITEM# TG513X-P010

REV B

COPYRIGHT © 2015 BY THINGAP

APPROX WEIGHT
1.0 lbs