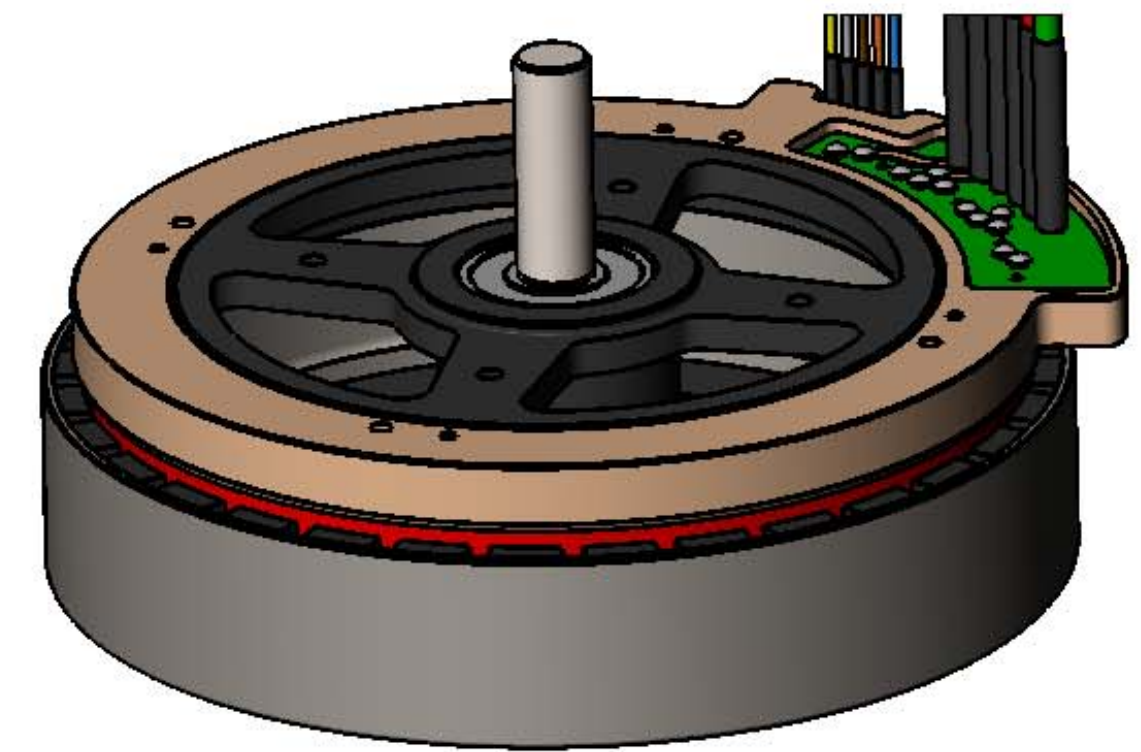
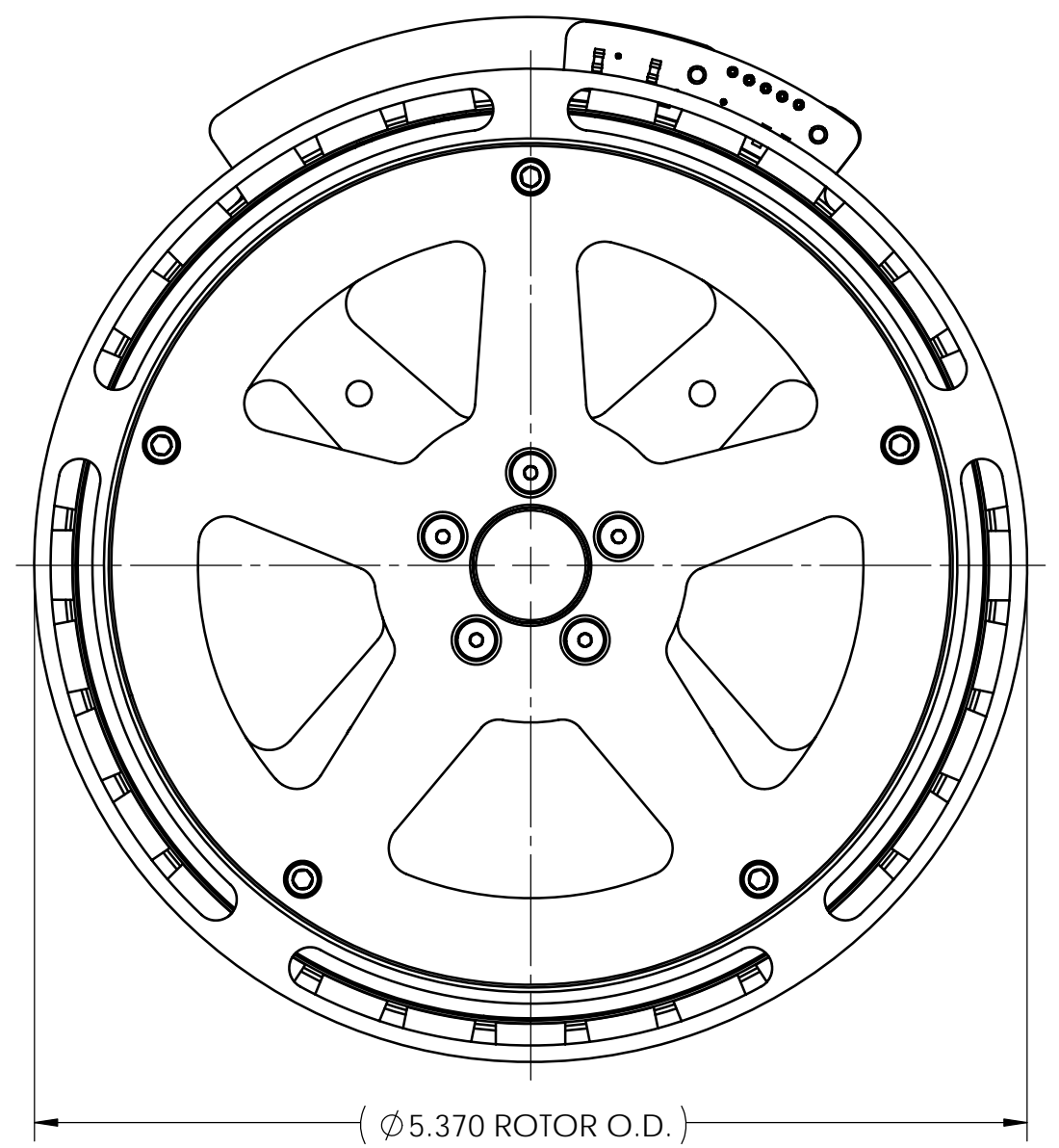
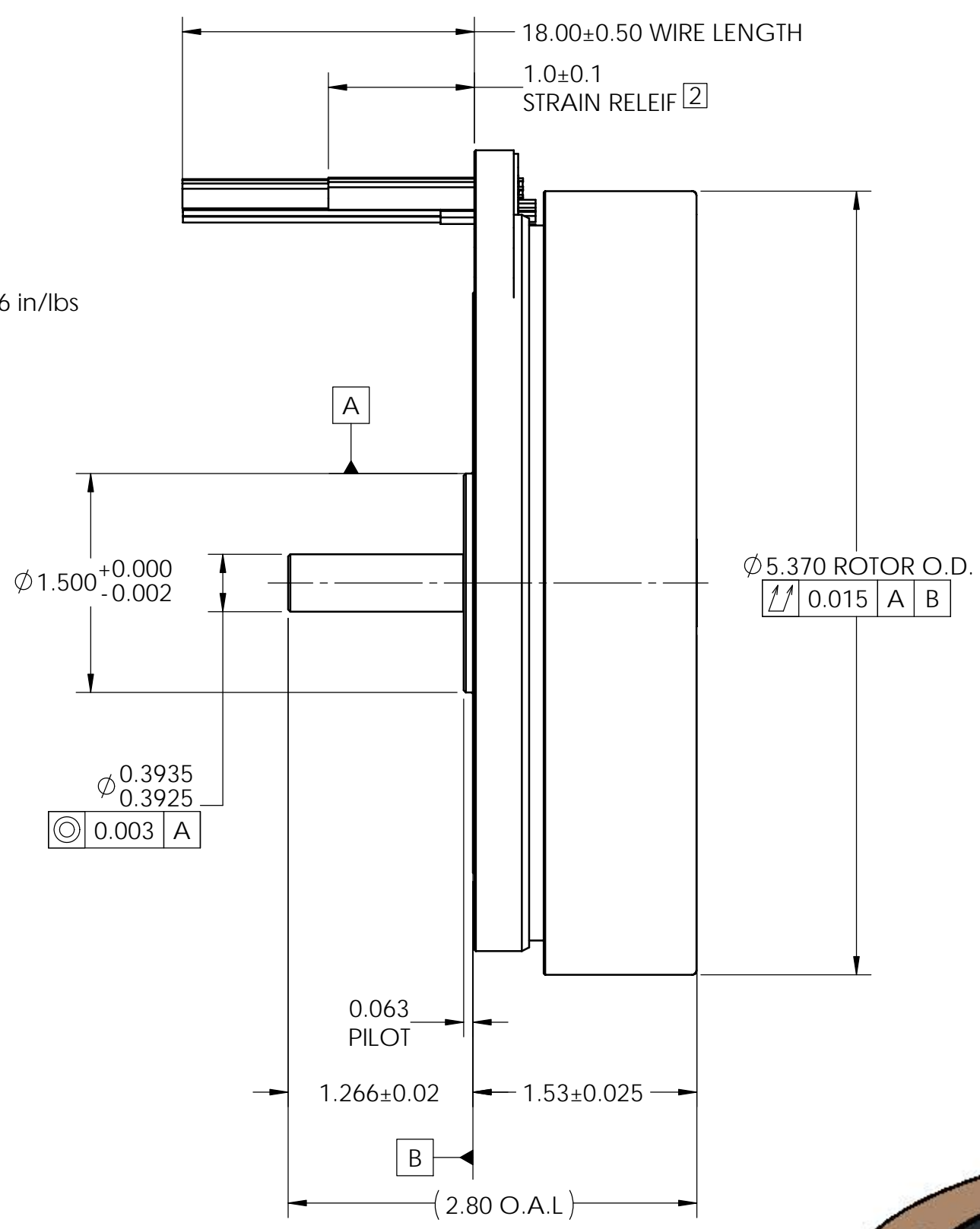
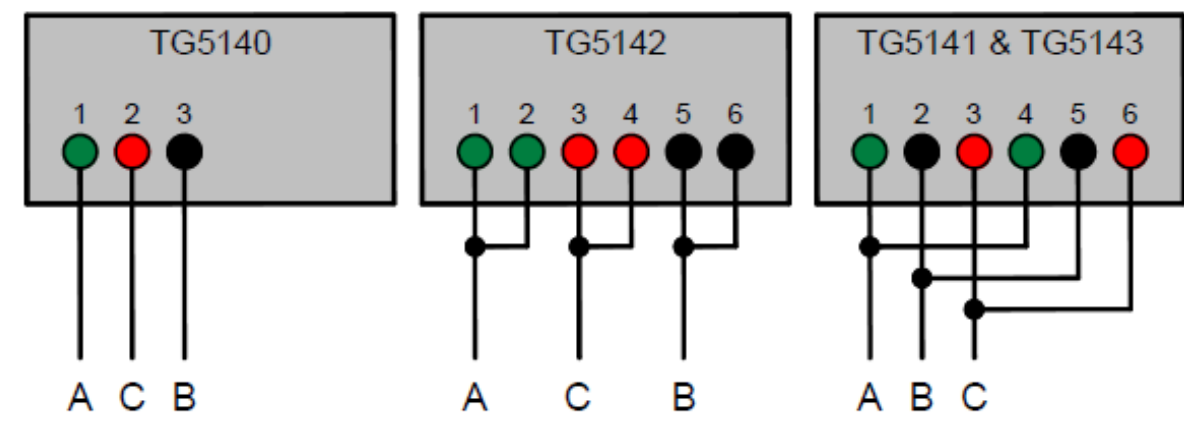


MOTOR MTG HOLES
4 x 8-32 UNC THRU
EQUALLY SPACED
RECM'D TORQUE: 5-6 in/lbs
⊕ ⌀ 0.015 A B



POWER CONNECTIONS 1



MOTOR EXCITATION						
PHASE	EXCITATION STEP					
	1	2	3	4	5	6
A	+	-	-	+	+	
B		+	+	-	-	
C	-	-	+	+	-	

NOTES:
 1 POWER CONNECTIONS SHALL BE DONE IN ACCORDANCE TO THE DIAGRAMS SHOWN ON THIS PRINT.
 2 PHASE LEAD WIRES EXIT STRAIGHT FROM THE PCB. FOR OPTIONAL RIGHT ANGLE EXIT, A MINIMUM CLEARANCE IS REQUIRED TO ACCOUNT FOR WIRE BEND RADIUS/STRAIN RELIEF.

Hall Sensor Lead Identification			TG5140 Phase Lead Identification			TG5142 Phase Lead Identification			TG5141 & TG5143 Phase Lead Identification			Product Identification TG514X Motor Series		DRAWING PROJECTION		ThinGap www.thingap.com	
Lead #	Color	Description	Lead #	Color	Description	Lead #	Color	Description	Lead #	Color	Description	Item #	Description	NAME	DATE	ITEM#	REV
1	YEL	V+	1	GREEN	PHASE A	1 & 2	GREEN	PHASE A	1 & 4	GREEN	PHASE A	TG5140	MOTOR ASSY, WYE SERIES	CS	20 MAR 16	TG514X-M010	A
2	GRY	COM -	2	RED	PHASE C	3 & 4	RED	PHASE C	2 & 5	BLACK	PHASE B	TG5141	MOTOR ASSY, DELTA SERIES	DH	20 MAR 16		
3	BRN	HALL A	3	BLACK	PHASE B	5 & 6	BLACK	PHASE B	3 & 6	RED	PHASE C	TG5142	MOTOR ASSY, WYE PARALLEL	EF	25 MAR 16		
4	ORN	HALL B										TG5143	MOTOR ASSY, DELTA PARALLEL				
5	BLU	HALL C															
													UNLESS OTHERWISE SPECIFIED, ALL DIMENSIONS ARE IN INCHES		COPYRIGHT © 2015 BY THINGAP		APPROX WEIGHT
													TOLERANCES: LINEAR: .X ±0.020 .XX ±0.010 .XXX ±0.005		ANGLES: ±0.1°		1.9 lbs