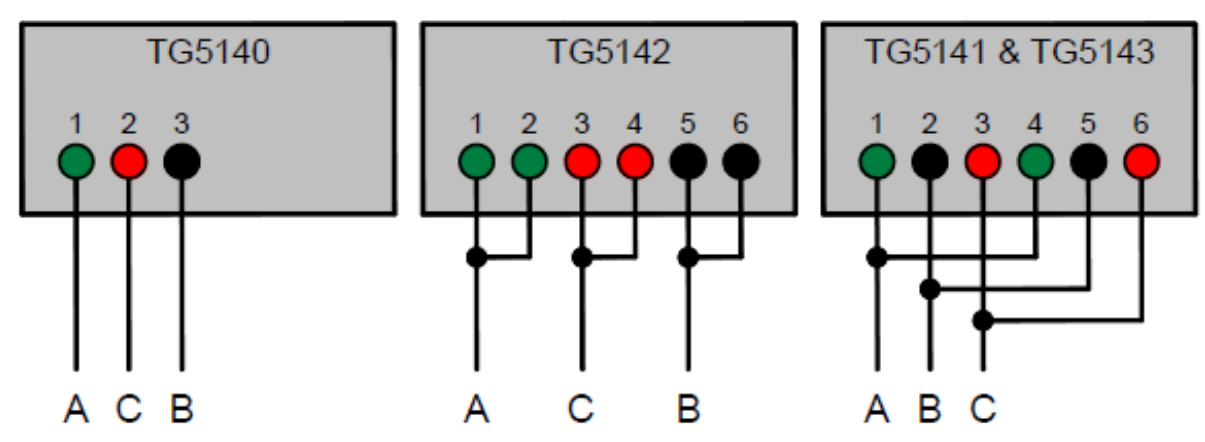


**POWER CONNECTIONS** 1



MOTOR EXCITATION							
PHASE	EXCITATION STEP						1
	1	2	3	4	5	6	
A	+	-	-	+	+		
B		+	+	-	-		
C	-	-	+	+	-		

- NOTES:
- 1 POWER CONNECTIONS SHALL BE DONE IN ACCORDANCE TO THE DIAGRAMS SHOWN ON THIS PRINT.
  - 2 PHASE LEAD WIRES EXIT STRAIGHT FROM THE PCB. FOR OPTIONAL RIGHT ANGLE EXIT, A MINIMUM CLEARANCE IS REQUIRED TO ACCOUNT FOR WIRE BEND RADIUS/STRAIN RELIEF.

Hall Sensor Lead Identification			TG5140 Phase Lead Identification			TG5142 Phase Lead Identification			TG5141 & TG5143 Phase Lead Identification			Product Identification TG514X PART SET		DRAWING PROJECTION		ThinGap www.thingap.com	
Lead #	Color	Description	Lead #	Color	Description	Lead #	Color	Description	Lead #	Color	Description	Item #	Description	NAME	DATE	ITEM#	REV
1	YEL	V+	1	GREEN	PHASE A	1 & 2	GREEN	PHASE A	1 & 4	GREEN	PHASE A	TG5140-P010	PART SET, WYE SERIES	CS	20 MAR 16	TG514X-P010	A
2	GRY	COM -	2	RED	PHASE C	3 & 4	RED	PHASE C	2 & 5	BLACK	PHASE B	TG5141-P010	PART SET, DELTA SERIES	DH	20 MAR 16		
3	BRN	HALL A	3	BLACK	PHASE B	5 & 6	BLACK	PHASE B	3 & 6	RED	PHASE C	TG5142-P010	PART SET, WYE PARALLEL	EF	25 MAR 16		
4	ORN	HALL B										TG5143-P010	PART SET, DELTA PARALLEL				
5	BLU	HALL C												UNLESS OTHERWISE SPECIFIED, ALL DIMENSIONS ARE IN INCHES		COPYRIGHT © 2015 BY THINGAP	
												TOLERANCES: LINEAR: .X ±0.020 .XX ±0.010 .XXX ±0.005		ANGLES: ±0.1°		APPROX WEIGHT 1.3 lbs	