

MOTOR MTG HOLES  
4 x 8-32 UNC THRU  
EQUALLY SPACED  
RECM'D TORQUE: 5-6 in/lbs  
⊕ ⌀ 0.015 A B

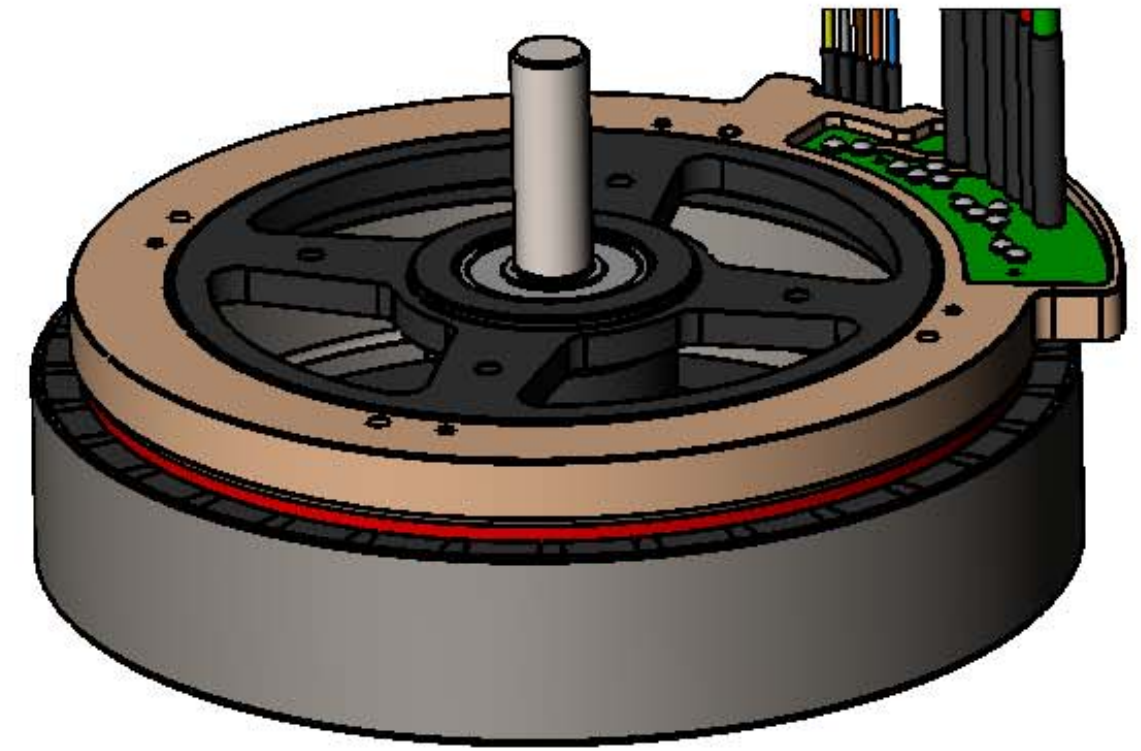
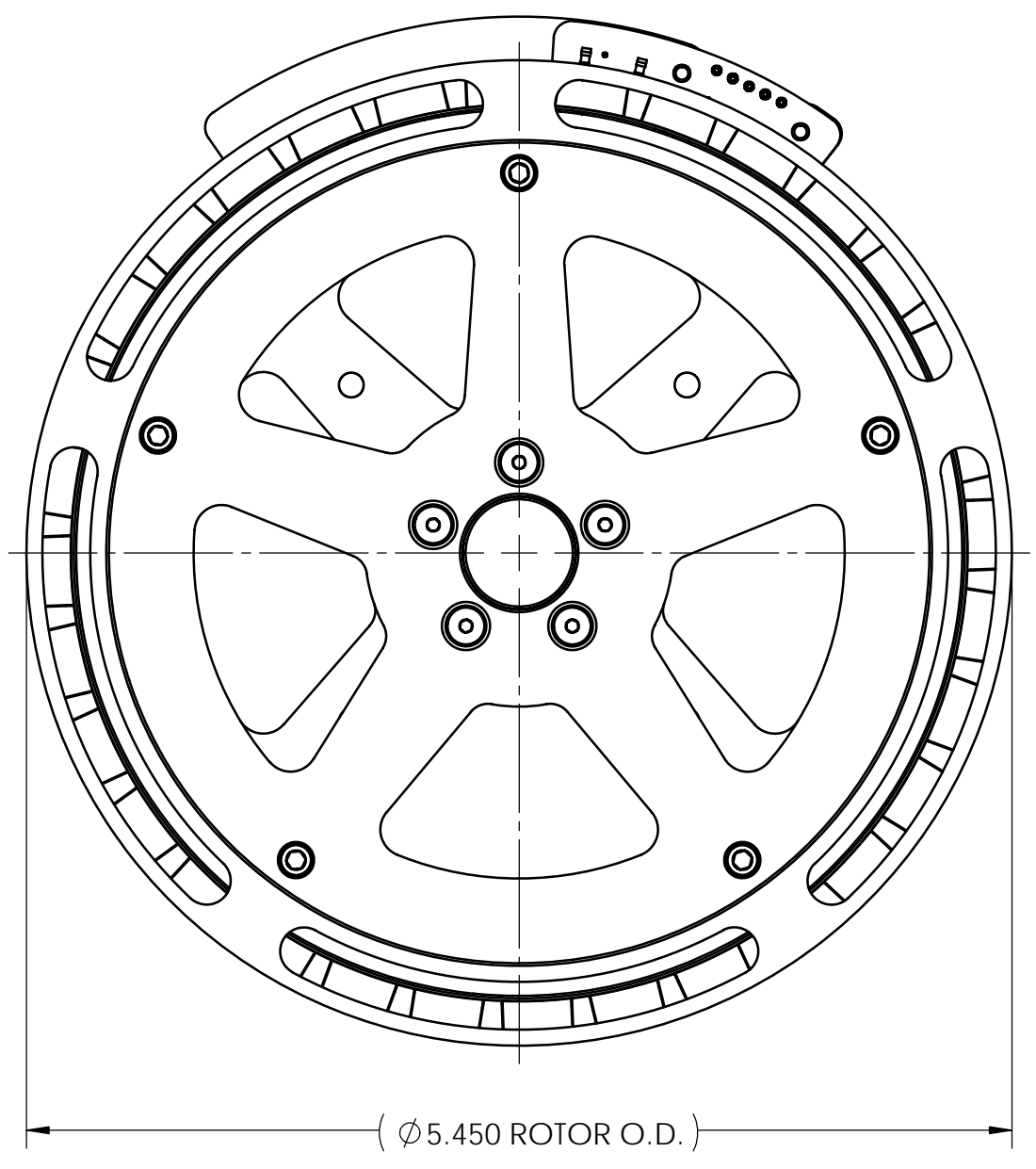
Ø 2.625

18.00±0.50 WIRE LENGTH  
1.0±0.1 [2]  
STRAIN RELIEF

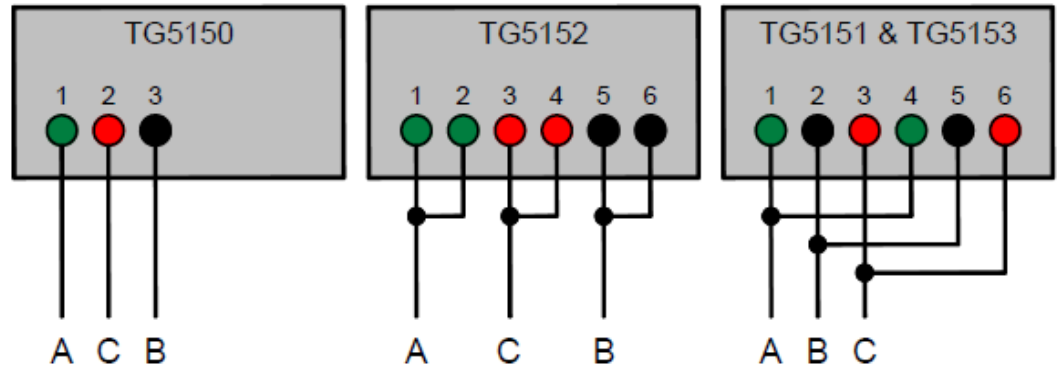
Ø 1.500<sup>+0.000</sup><sub>-0.002</sub>  
Ø 0.3935  
0.3925  
◎ 0.003 A

Ø 5.450 ROTOR O.D.  
⌘ 0.015 A B

0.063 PILOT  
1.266±0.02  
1.53±0.025  
(2.80 O.A.L.)



POWER CONNECTIONS [1]



MOTOR EXCITATION						
PHASE	EXCITATION STEP					
	1	2	3	4	5	6
A	+	-	-	+	+	
B		+	+	-	-	
C	-	-	+	+	-	

- NOTES:
- [1] POWER CONNECTIONS SHALL BE DONE IN ACCORDANCE TO THE DIAGRAMS SHOWN ON THIS PRINT.
  - [2] PHASE LEAD WIRES EXIT STRAIGHT FROM THE PCB. FOR OPTIONAL RIGHT ANGLE EXIT, A MINIMUM CLEARANCE IS REQUIRED TO ACCOUNT FOR WIRE BEND RADIUS/STRAIN RELIEF.

Hall Sensor Lead Identification			TG5150 Phase Lead Identification			TG5152 Phase Lead Identification			TG5151 & TG5153 Phase Lead Identification			Product Identification TG515X Motor Series		DRAWING PROJECTION		ThinGap www.thingap.com		
Lead #	Color	Description	Lead #	Color	Description	Lead #	Color	Description	Lead #	Color	Description	Item #	Description	NAME	DATE	ITEM#	REV	
1	YEL	V+	1	GREEN	PHASE A	1 & 2	GREEN	PHASE A	1 & 4	GREEN	PHASE A	TG5150	MOTOR ASSY, WYE SERIES	DRAWN	CS	20 MAR 16	TG515X-M010	A
2	GRY	COM -	2	RED	PHASE C	3 & 4	RED	PHASE C	2 & 5	BLACK	PHASE B	TG5151	MOTOR ASSY, DELTA SERIES	CHECKED	DH	20 MAR 16		
3	BRN	HALL A	3	BLACK	PHASE B	5 & 6	BLACK	PHASE B	3 & 6	RED	PHASE C	TG5152	MOTOR ASSY, WYE PARALLEL	APPROVAL	EF	25 MAR 16		
4	ORN	HALL B										TG5153	MOTOR ASSY, DELTA PARALLEL	UNLESS OTHERWISE SPECIFIED, ALL DIMENSIONS ARE IN INCHES				
5	BLU	HALL C												TOLERANCES: LINEAR: .X ±0.020    ANGLES: ±0.1° .XX ±0.010 .XXX ±0.005				
															COPYRIGHT © 2015 BY THINGAP		APPROX WEIGHT 2.0 lbs	