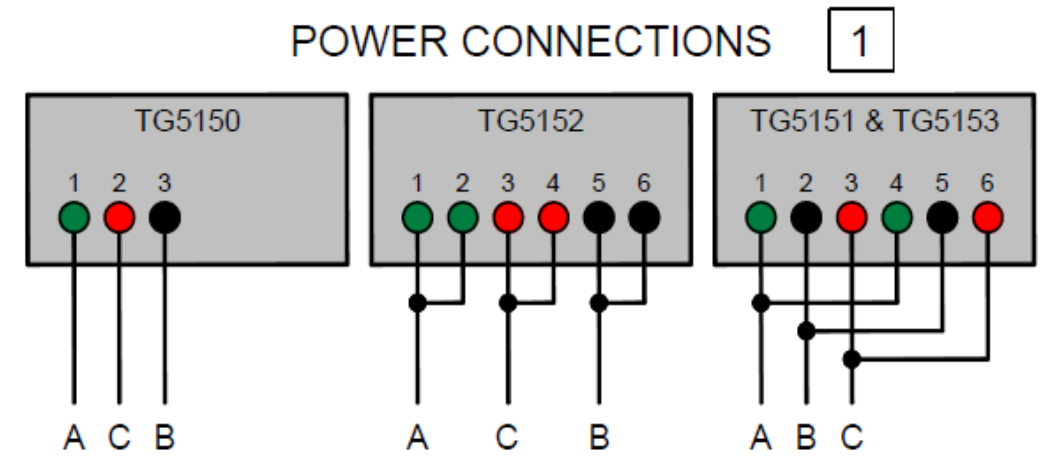


MOTOR EXCITATION							
PHASE	EXCITATION STEP						1
	1	2	3	4	5	6	
A	+	-	-	-	+	+	
B		+	+	-	-		
C	-	-	+	+	-	-	



- NOTES:
- 1 POWER CONNECTIONS SHALL BE DONE IN ACCORDANCE TO THE DIAGRAMS SHOWN ON THIS PRINT.
 - 2 PHASE LEAD WIRES EXIT STRAIGHT FROM THE PCB. FOR OPTIONAL RIGHT ANGLE EXIT, A MINIMUM CLEARANCE IS REQUIRED TO ACCOUNT FOR WIRE BEND RADIUS/STRAIN RELIEF.

Hall Sensor Lead Identification			TG5150 Phase Lead Identification			TG5152 Phase Lead Identification			TG5151 & TG5153 Phase Lead Identification			Product Identification TG515X PART SET		DRAWING PROJECTION		ThinGap www.thingap.com				
Lead #	Color	Description	Lead #	Color	Description	Lead #	Color	Description	Lead #	Color	Description	Item #	Description	NAME	DATE	ITEM#	REV			
1	YEL	V+	1	GREEN	PHASE A	1 & 2	GREEN	PHASE A	1 & 4	GREEN	PHASE A	TG5150-P010	PART SET, WYE SERIES	CS	20 MAR 16	TG515X-P010	A			
2	GRY	COM -	2	RED	PHASE C	3 & 4	RED	PHASE C	2 & 5	BLACK	PHASE B	TG5151-P010	PART SET, DELTA SERIES	DH	20 MAR 16					
3	BRN	HALL A	3	BLACK	PHASE B	5 & 6	BLACK	PHASE B	3 & 6	RED	PHASE C	TG5152-P010	PART SET, WYE PARALLEL	EF	25 MAR 16					
4	ORN	HALL B										TG5153-P010	PART SET, DELTA PARALLEL							
5	BLU	HALL C																		
													TOLERANCES: LINEAR: .X ±0.020 ANGLES: ±0.1° .XX ±0.010 .XXX ±0.005		UNLESS OTHERWISE SPECIFIED, ALL DIMENSIONS ARE IN INCHES		COPYRIGHT © 2015 BY THINGAP		APPROX WEIGHT 1.3 lbs	