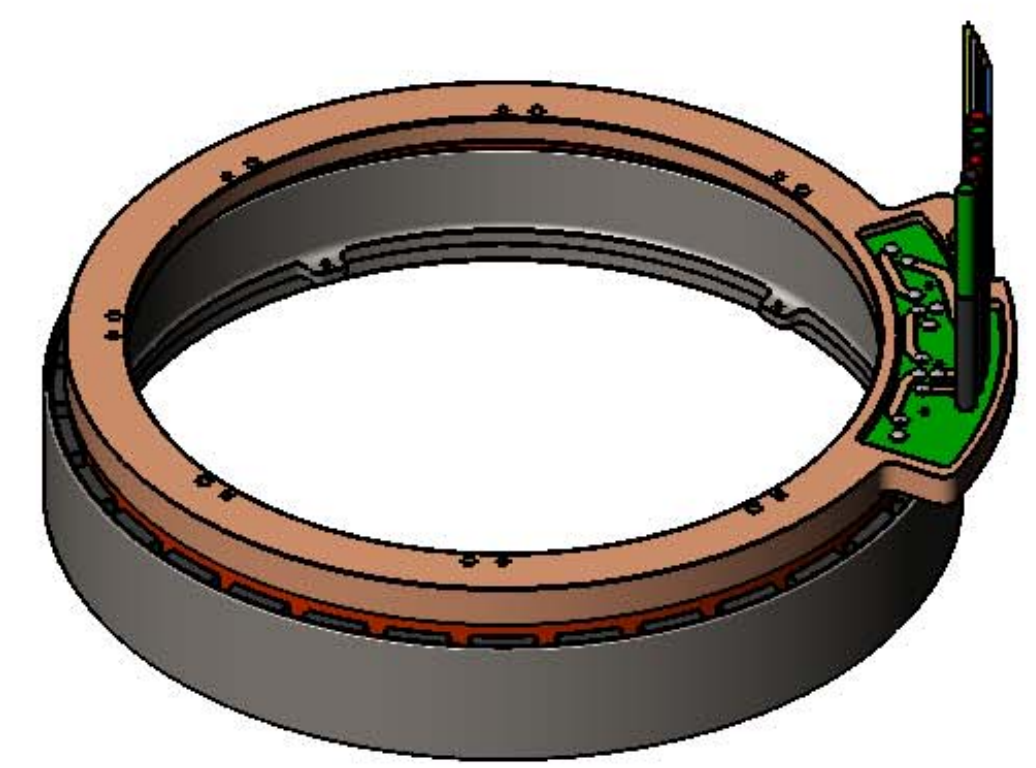
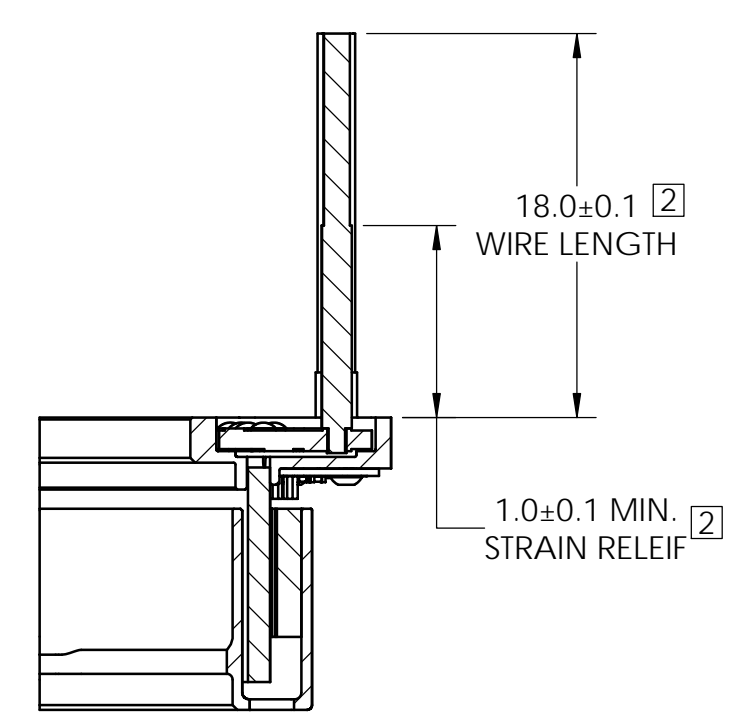
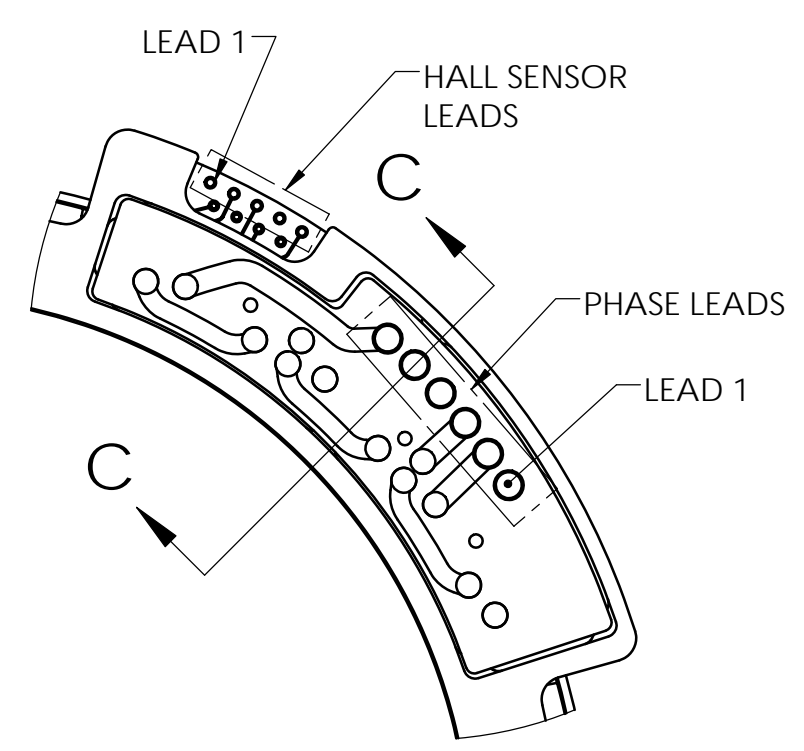
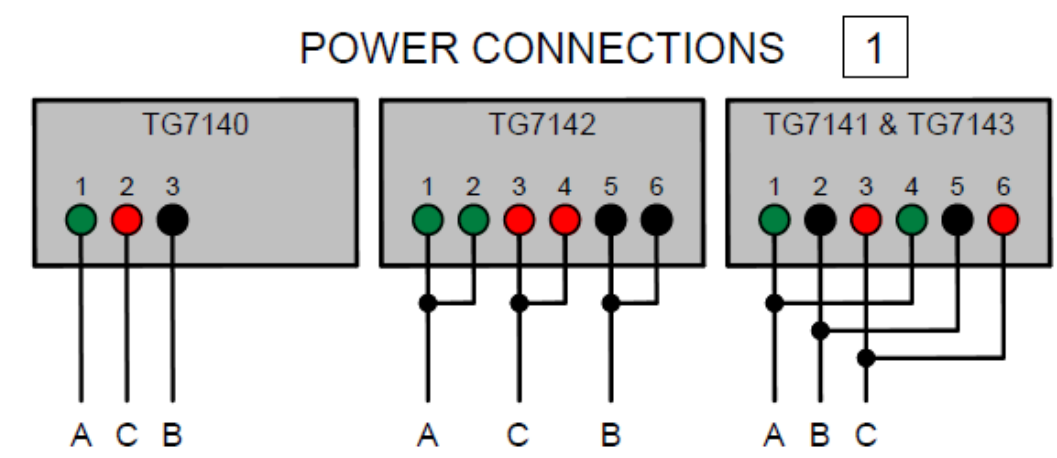


MOTOR EXCITATION

PHASE	EXCITATION STEP					
	1	2	3	4	5	6
A	+	-	-	+	+	
B		+	+	-	-	
C	-	-	+	+		-



NOTES:
 1 POWER CONNECTIONS SHALL BE DONE IN ACCORDANCE TO THE DIAGRAMS SHOWN ON THIS PRINT.
 2 PHASE LEAD WIRES EXIT STRAIGHT FROM THE PCB. FOR OPTIONAL RIGHT ANGLE EXIT, A MINIMUM CLEARANCE IS REQUIRED TO ACCOUNT FOR WIRE BEND RADIUS/STRAIN RELIEF.

Hall Sensor Lead Identification			TG7140 Phase Lead Identification			TG7142 Phase Lead Identification			TG7141 & TG7143 Phase Lead Identification			Product Identification TG514X PART SET		DRAWING PROJECTION		ThinGap www.thingap.com	
Lead #	Color	Description	Lead #	Color	Description	Lead #	Color	Description	Lead #	Color	Description	Item #	Description	NAME	DATE	ITEM#	REV
1	YEL	V+	1	GRN	PHASE A	1 & 2	GRN	PHASE A	1 & 4	GRN	PHASE A	TG7140-P010	PART SET, WYE SERIES	CS	23 DEC 15	TG714X-P010	A
2	GRY	COM -	2	RED	PHASE C	3 & 4	RED	PHASE C	2 & 5	RED	PHASE B	TG7141-P010	PART SET, DELTA SERIES	DH	23 DEC 15		
3	BRN	HALL A										TG7142-P010	PART SET, WYE PARALLEL	EF	25 DEC 16		
4	ORN	HALL B	3	BLK	PHASE B	5 & 6	BLK	PHASE B	3 & 6	BLK	PHASE C	TG7143-P010	PART SET, DELTA PARALLEL	UNLESS OTHERWISE SPECIFIED, ALL DIMENSIONS ARE IN INCHES			
5	BLU	HALL C										TOLERANCES: LINEAR: .X ±0.020 .XX ±0.010 .XXX ±0.005		ANGLES: ±0.1°			

COPYRIGHT © 2015 BY THINGAP APPROX WEIGHT 1.8 lbs