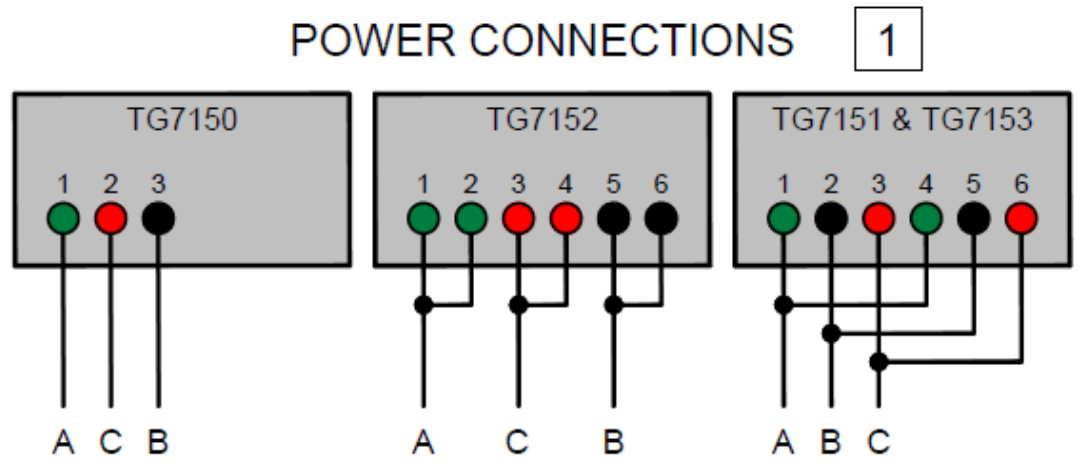


MOTOR EXCITATION

PHASE	EXCITATION STEP					
	1	2	3	4	5	6
A	+	-	-	+	+	
B		+	+	-	-	
C	-	-	+	+		-



- NOTES:
- POWER CONNECTIONS SHALL BE DONE IN ACCORDANCE TO THE DIAGRAMS SHOWN ON THIS PRINT.
 - PHASE LEAD WIRES EXIT STRAIGHT FROM THE PCB. FOR OPTIONAL RIGHT ANGLE EXIT, A MINIMUM CLEARANCE IS REQUIRED TO ACCOUNT FOR WIRE BEND RADIUS/STRAIN RELIEF.

Hall Sensor Lead Identification			TG7150 Phase Lead Identification			TG7152 Phase Lead Identification			TG7151 & TG7153 Phase Lead Identification			Product Identification TG715X Motor Series	
Lead #	Color	Description	Lead #	Color	Description	Lead #	Color	Description	Lead #	Color	Description	Item #	Description
1	YEL	V+	1	GRN	PHASE A	1 & 2	GRN	PHASE A	1 & 4	GRN	PHASE A	TG7150-M010	MOTOR, SERIES - WYE
2	GRY	COM -	2	RED	PHASE C	3 & 4	RED	PHASE C	2 & 5	RED	PHASE C	TG7151-M010	MOTOR, SERIES - DELTA
3	BRN	HALL A	3	BLK	PHASE B	5 & 6	BLK	PHASE B	3 & 6	BLK	PHASE B	TG7152-M010	MOTOR, PARALLEL - WYE
4	ORN	HALL B										TG7153-M010	MOTOR, PARALLEL - DELTA
5	BLU	HALL C											

DRAWING PROJECTION

TOLERANCES:
 LINEAR: .X ±0.020 ANGLES: ±0.1°
 .XX ±0.010
 .XXX ±0.005

ThinGap
www.thingap.com

MOTOR ASSEMBLY

ITEM# **TG715X-M010** REV **A**

COPYRIGHT © 2015 BY THINGAP APPROX WEIGHT **3.5 lbs**