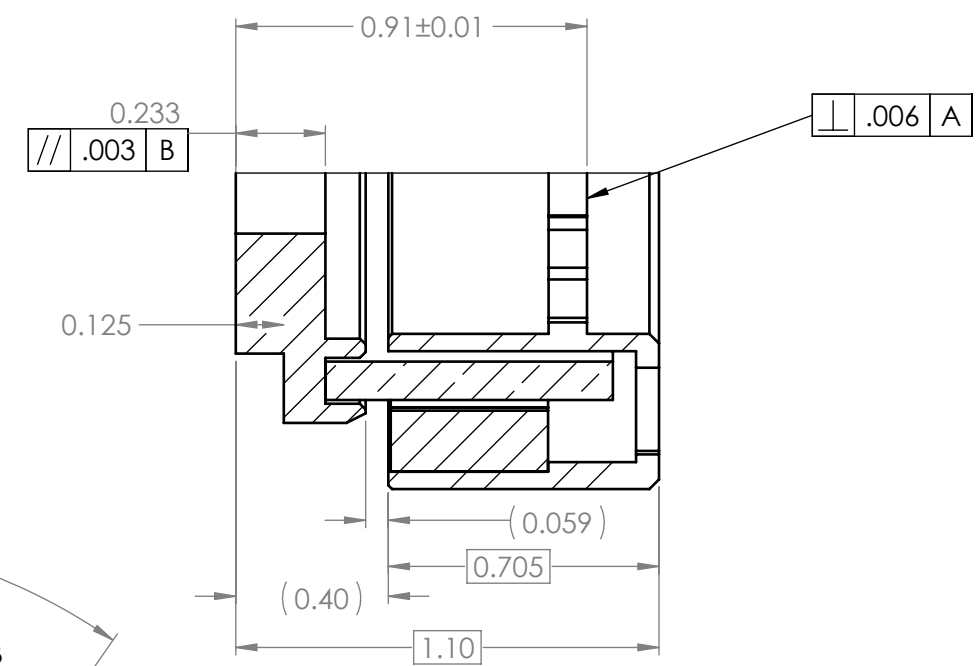
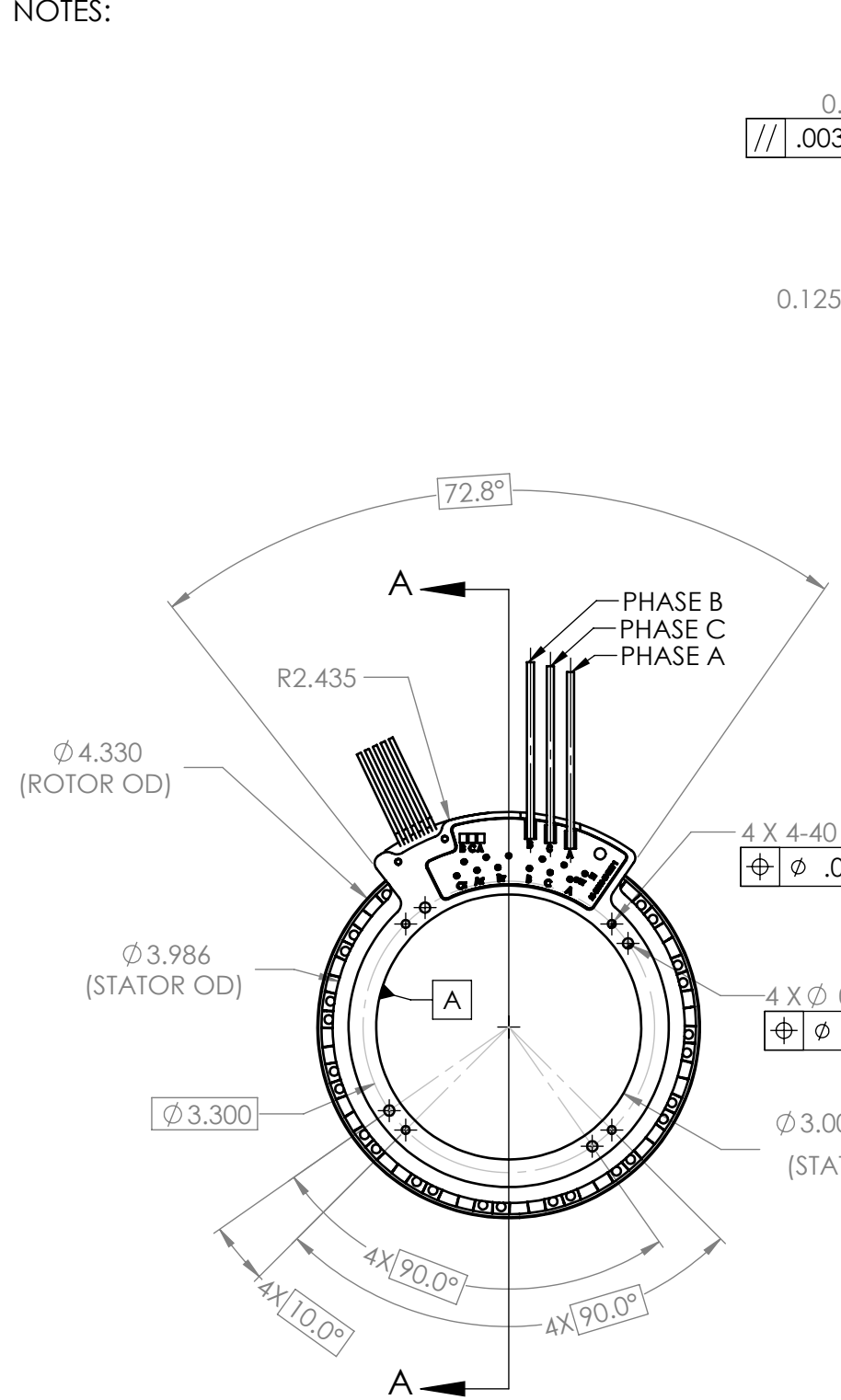
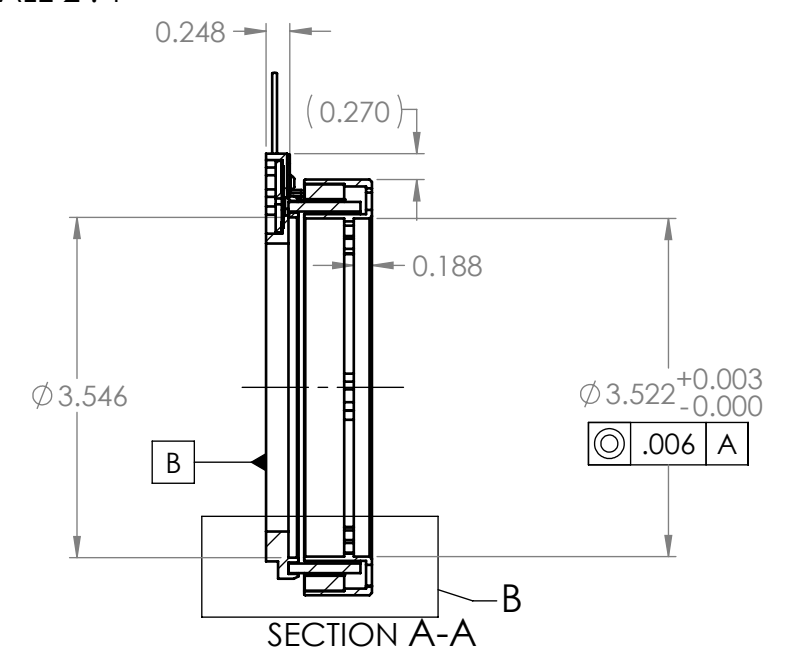


NOTES:

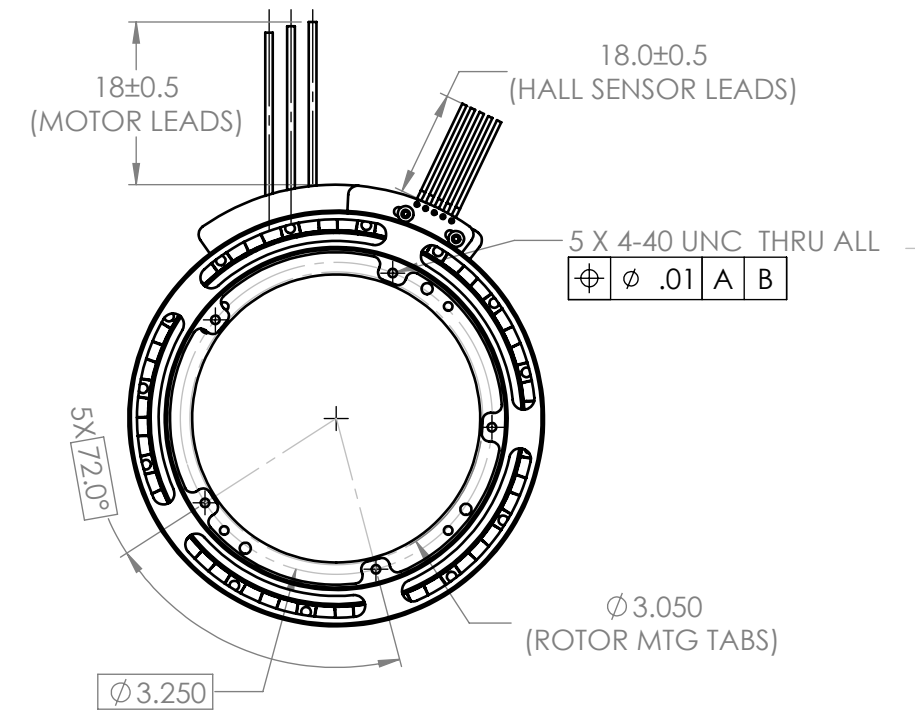
REVISIONS			
REV	DESCRIPTION	ECO#	DATE
01	INITIAL ENGINEERING	-	04/28/2017
02	UPADTED PHASE LEAD LOCATION	0241	06/28/2017



DETAIL B
SCALE 2 : 1

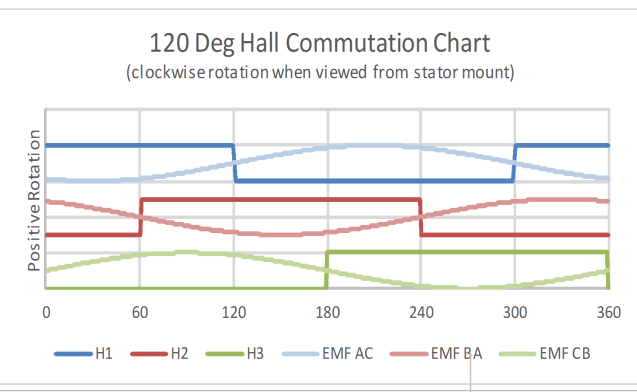


SECTION A-A



RELEASED PRE-PRODUCTION

PHASE LEAD IDENTIFICATION			HALL SENSOR LEAD IDENTIFICATION		
LEAD NO.	COLOR	DESCRIPTION	LEAD NO.	COLOR	DESCRIPTION
1	GREEN	PHASE A	1	YELLOW	V+
2	BLACK	PHASE B	2	GREY	COM -
3	RED	PHASE C	3	BROWN	HALL A
			4	ORANGE	HALL B
			5	BLUE	HALL C



UNLESS OTHERWISE SPECIFIED:
DIMENSIONS ARE IN INCHES
TOLERANCES:
LINEAR: X ± .020
.XX ± .010
.XXX ± .005
ANGULAR: ± 0.1°

PROPRIETARY NOTICE
The information and design disclosed herein are the property of ThinGap Corporation. Neither this document nor the information disclosed herein shall be reproduced or transferred to other documents or used or disclosed to others for manufacturing or any other purpose except as specifically authorized in writing. ThinGap Corporation expressly reserves all patent, proprietary, design, manufacturing, reproduction, and use and sales rights thereto, any article disclosed herein.

	NAME	DATE
DRAWN	V. Lebron	4/24/2017
CHK'D	D. Harris	04/28/2017
MFG		
Q.A		
APPV'D	D. Harris	04/28/2017

DRAWING PROJECTION

MATERIAL:

FINISH: SEE NOTES

thin gap
www.thingap.com

TITLE: ASSEMBLY PART SET
TGO-110025A089-H0ANT

DWG NO. 52-02946-00

REVISION 02

APPROXIMATE WEIGHT: EA DO NOT SCALE DRAWING SHEET 1 OF 1