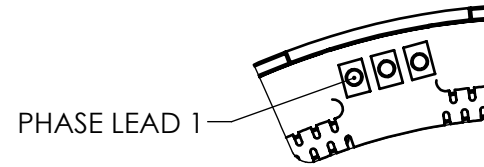
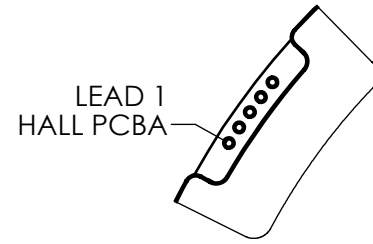


NOTES:

1. MAXIMUM RATED WINDING TEMPERATURE: 130°C

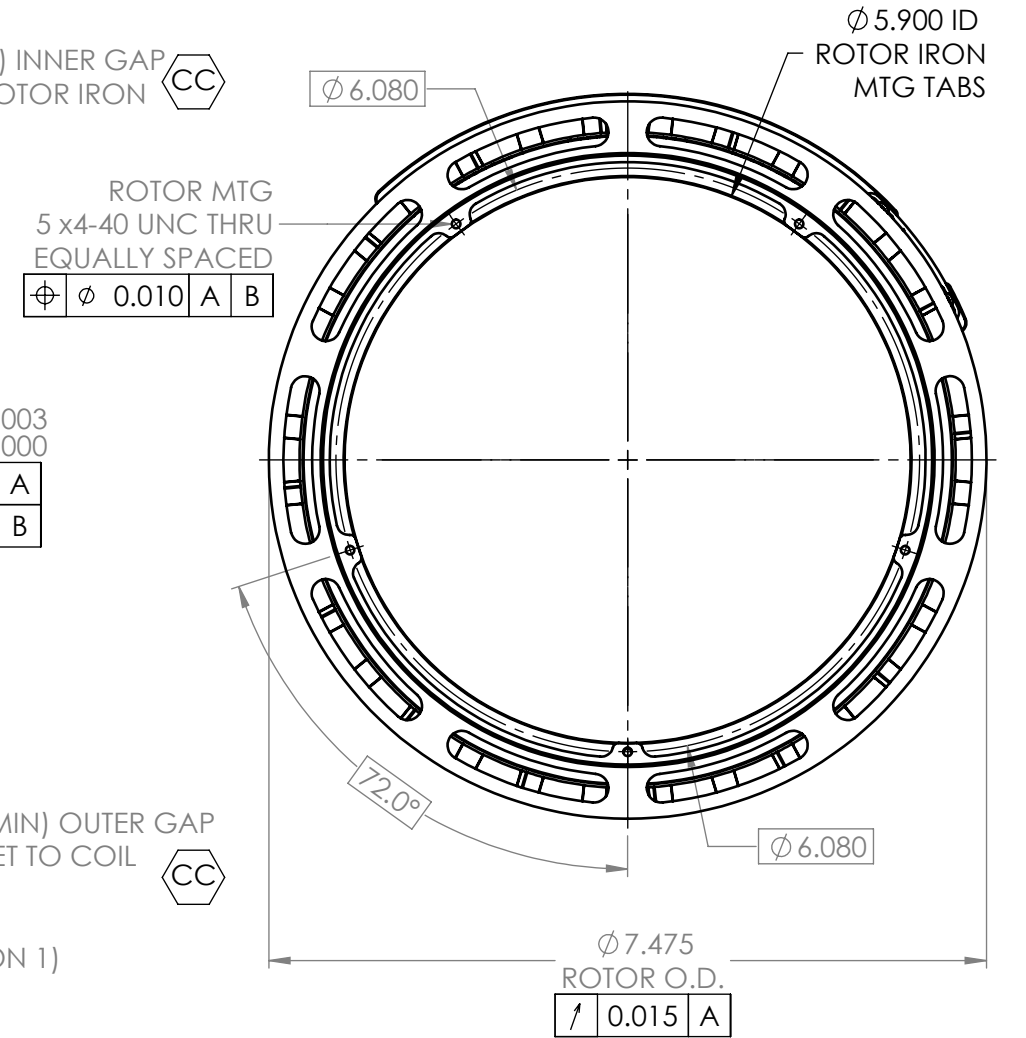
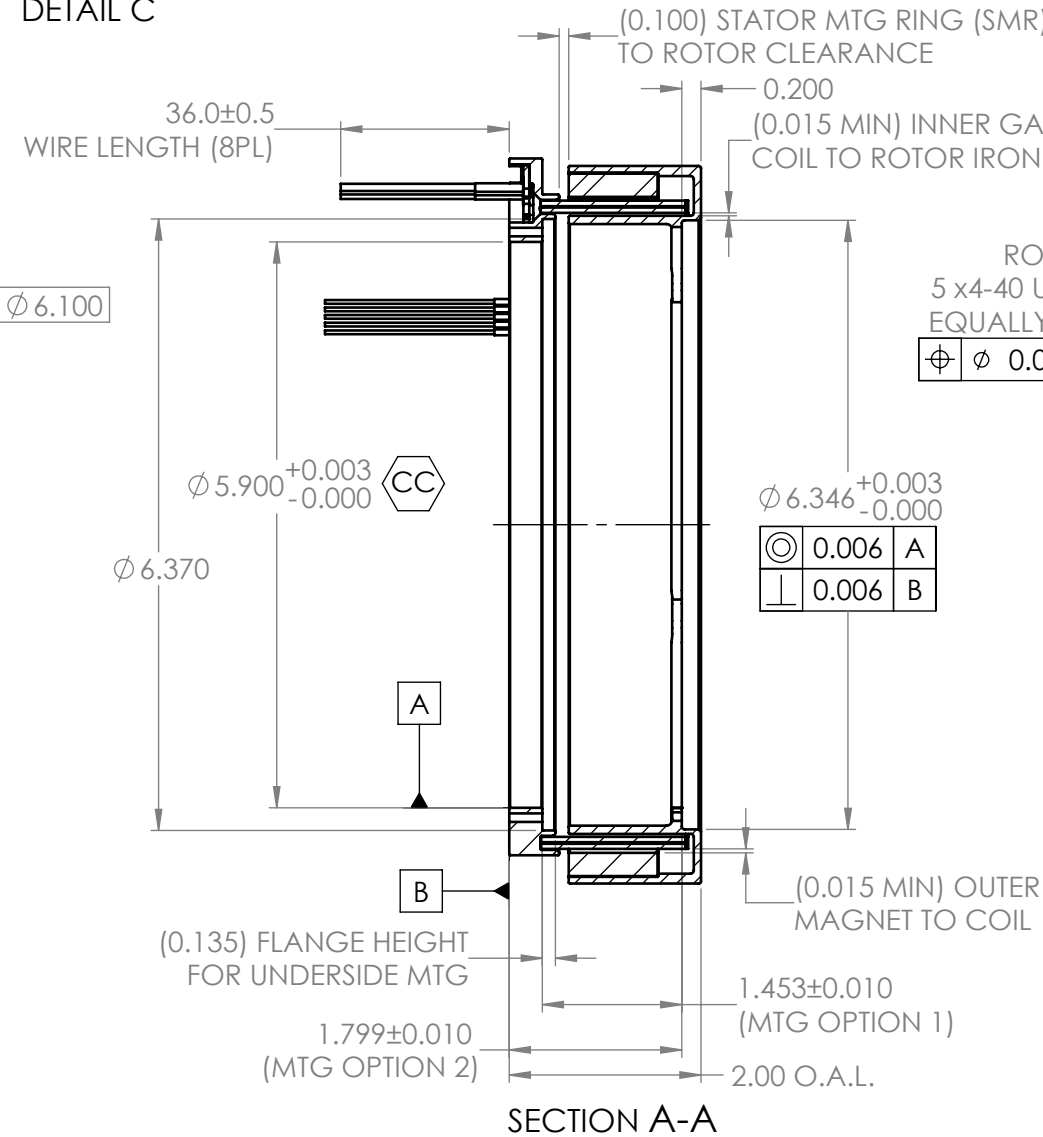
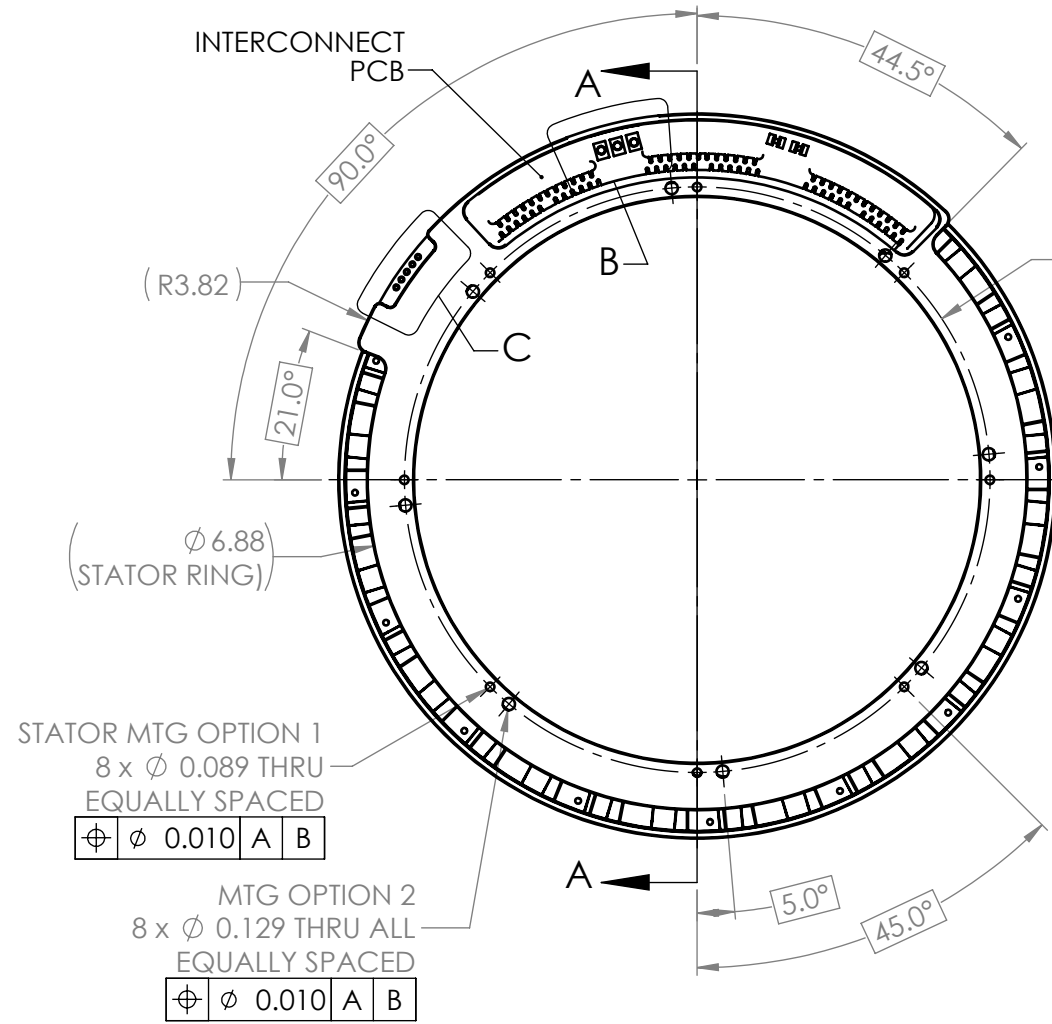
Electrical Parameters			
Parameter	Value	Tol	
Voltage constant k_t	0.700	Vpk-I/(rad/s)	±10%
Motor Resistance @20°C	1.191	Ohms	±10%
Number of Magnetic Poles	32	-	-



DETAIL C

DETAIL B

REVISIONS			
REV	DESCRIPTION	ECO#	DATE
01	INITIAL RELEASE	0359	07/18/2018
02	REVISE LEAD LENGTH	0384	08/03/2018
03	ADD INSPECTION REQUIREMENTS	0396	12/26/2018

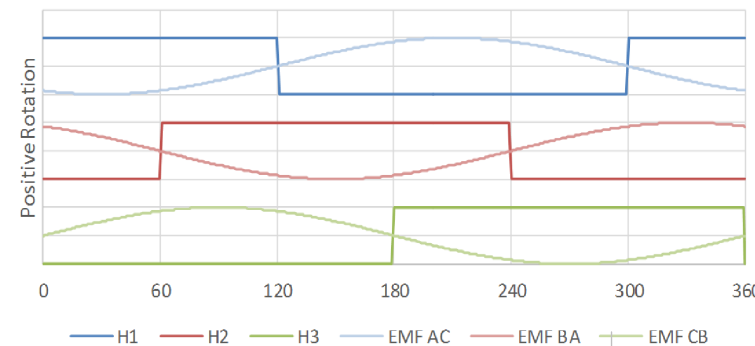


RELEASED PRE-PRODUCTION

Phase Lead Identification			
Lead	Color	Description	Gauge
1	Green	Phase A	18
2	Black	Phase B	18
3	Red	Phase C	18

MOTOR PHASE	EXCITATION STEP					
	1	2	3	4	5	6
A	+	-	-	+	+	
B		+	+	-	-	
C	-	-		+	+	-
HALL SENSORS						
H1	1	1	0	0	0	1
H2	0	1	1	1	0	0
H3	0	0	0	1	1	1

120 Deg Hall Commutation Chart
(clockwise rotation when viewed from stator mount)



UNLESS OTHERWISE SPECIFIED:
DIMENSIONS ARE IN INCHES
TOLERANCES:
LINEAR: X ± .020
.XX ± .010
.XXX ± .005
ANGULAR: ± 0.1°

PROPRIETARY NOTICE

The information and design disclosed herein are the property of ThinGap Corporation. Neither this document nor the information disclosed herein shall be reproduced or transferred to other documents or used or disclosed to others for manufacturing or any other purpose except as specifically authorized in writing. ThinGap Corporation expressly reserves all patent, proprietary, design, manufacturing, reproduction, and use and sales rights thereto, any article disclosed herein.

	NAME	DATE
DRAWN	C. Sanchez	6/19/2018
CHK'D	D. Harris	07/18/2018
MFG		
Q.A		
APPV'D	D. Harris	07/18/2018

DRAWING PROJECTION



MATERIAL:

FINISH: SEE NOTES



TITLE: PART SET TGO-190 TGO-190Y046A159-HOPHT	
DWG NO. 52-05731-00	REVISION 03
APPROXIMATE WEIGHT:	DO NOT SCALE DRAWING
SHEET 1 OF 1	