



thin gap | TG SERIES MOTOR KIT

ZERO COGGING | OPTIMIZED FOR POWER DENSITY | LIGHT-WEIGHT AND LARGE APERTURE
HIGHLY EFFICIENT ARCHITECTURE | IRONLESS COMPOSITE STATOR | SCALABLE SIZE AND POWER

Data Sheet Model Number: TG 515X-XXXX

ThinGap's TG Series includes numerous high performance brushless permanent magnet motors. The TG Series targets higher speed, high-precision applications such as where a smooth motion and weight optimized solution is desired.



ThinGap's TG Line of Brushless motors designed for high speed, high power applications such as propulsion, reaction wheels, and precisions industrial. These motor kits are available in sizes ranging from 57mm to 190 mm

Model Number Nomenclature	TG 51 5 X -XXXX
Motor Series	TG 51
Rotor Configuration	5
Winding Configuration (0-WYE SERIES, 2-WYE PARALLEL, 3-DELTA PARALLEL)	X
Mounting (P010-Frameless, M010-Framed)	-XXXX
Example	TG 5152-P010

Winding Independent Parameter Table TG 515X

Performance Parameters	Units	Value
Continuous Torque @ Max Speed	N-m	3.57
Max Continuous Speed	RPM	10300
Max Continuous Power	kW	2.99
Peak Parameters @ Max Speed	Units	Value
Peak Torque (1 sec)	N-m	11.52
Peak Torque (3 sec)	N-m	6.88
Mechanical Parameters	Units	Value
Rotor Inertia	kg-m ²	2.03E-03
Number of Magnetic Poles	ea	32
Outer Diameter	mm	138
Through Hole Diameter	mm	116
Axial Height	mm	30
Part Set Mass (Rotor and Stator)	kg	0.613
Total Motor Mass M1	kg	0.907
Temperature Parameters	Units	Value
Max Stator Temperature	°C	100

Torque and Mechanical Speed

Continuous rated torque of up to 3.57 N-m and a rated speed of up to 10300 RPM.

Motor Controller Recommendation

Standard 3-Phase Controller
High Frequency PWM power input

Resources for Integration

CAD files at: www.thingap.com

Complete Mechanical drawings available upon request

Winding dependent Parameter Table

Electrical Parameters	Units	TG 5150	TG 5152	TG 5153
		Value	Value	Value
Winding Configuration		WYE SERIES	WYE PARALLEL	DELTA PARALLEL
Required Motor Voltage @ Max Speed	V _{pk-l}	207.2	103.6	59.9
Max Continuous Phase Current @ Max Speed *	A _{RMS}	16.6	33.1	49.7
Voltage Constant (I-I)	V _{pk-l} /rad/s	0.186	0.093	0.054
Voltage Constant (I-I)	V _{pk-l} /kRPM	19.5	9.8	5.6
Torque Constant	N-m/A _{RMS}	0.228	0.114	0.076
Motor Constant	N-m/√W	0.289	0.289	0.289
Terminal Resistance	Ω	0.417	0.104	0.035
Terminal Inductance	μH	19	4.8	1.6

* Current value takes into account temperature losses during operation.



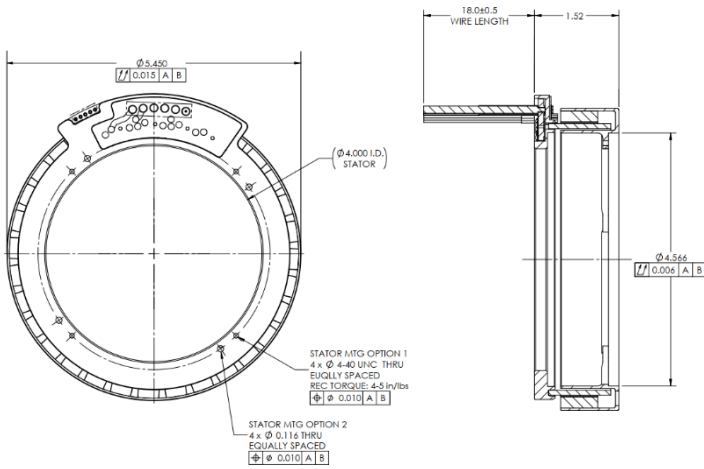
thin gap

TG SERIES
MOTOR KIT

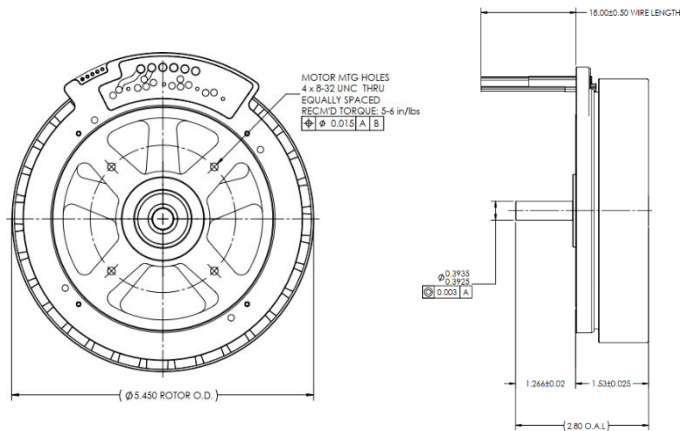
TG 515X-XXXX

TG 515X-XXXX Mechanical Information

TG 515X-P010



TG 515X-M010



General Mechanical Specifications

All values are in inches and should be considered nominal. Please consult factory for up-to date mechanical drawing and ICD.

TG Series Options and Motor Capabilities

Basic Kit Sizes Available:				
TG Sub-Series	Motor Model	OD (inch/mm)	Con.Torque (N-m)	Max Speed (RPM)
2 Series (2" OD)	TGI 231X	2.2 / 57	0.74	6,500
	TGO 232X	2.2 / 57	0.35	16,000
	TGO 233X	2.2 / 57	0.69	16,000
	TGD 234X	2.2 / 57	1.02	6,500
	TGI 046	1.8 / 46	0.71	3,300
3 Series (3" OD)	TG 303X	2.8 / 71	0.14	30,600
	TG 304X	2.9 / 75	0.19	28,400
	TG 305X	3.0 / 76	0.21	17,900
4 Series (4" OD)	TGO 110	4.3 / 110	0.99	4,000
5 Series (5" OD)	TG 513X	5.2 / 131	1.68	18,400
	TG 514X	5.4 / 136	2.65	13,900
	TG 515X	5.5 / 138	3.57	10,300
7 Series (7" OD)	TG 713X	7.0 / 178	2.98	13,700
	TG 714X	7.2 / 182	4.26	10,800
	TG 715X	7.5 / 190	4.83	10,300
	TGO 190	7.5 / 190	9.46	6000

REGION OF OPERATION

